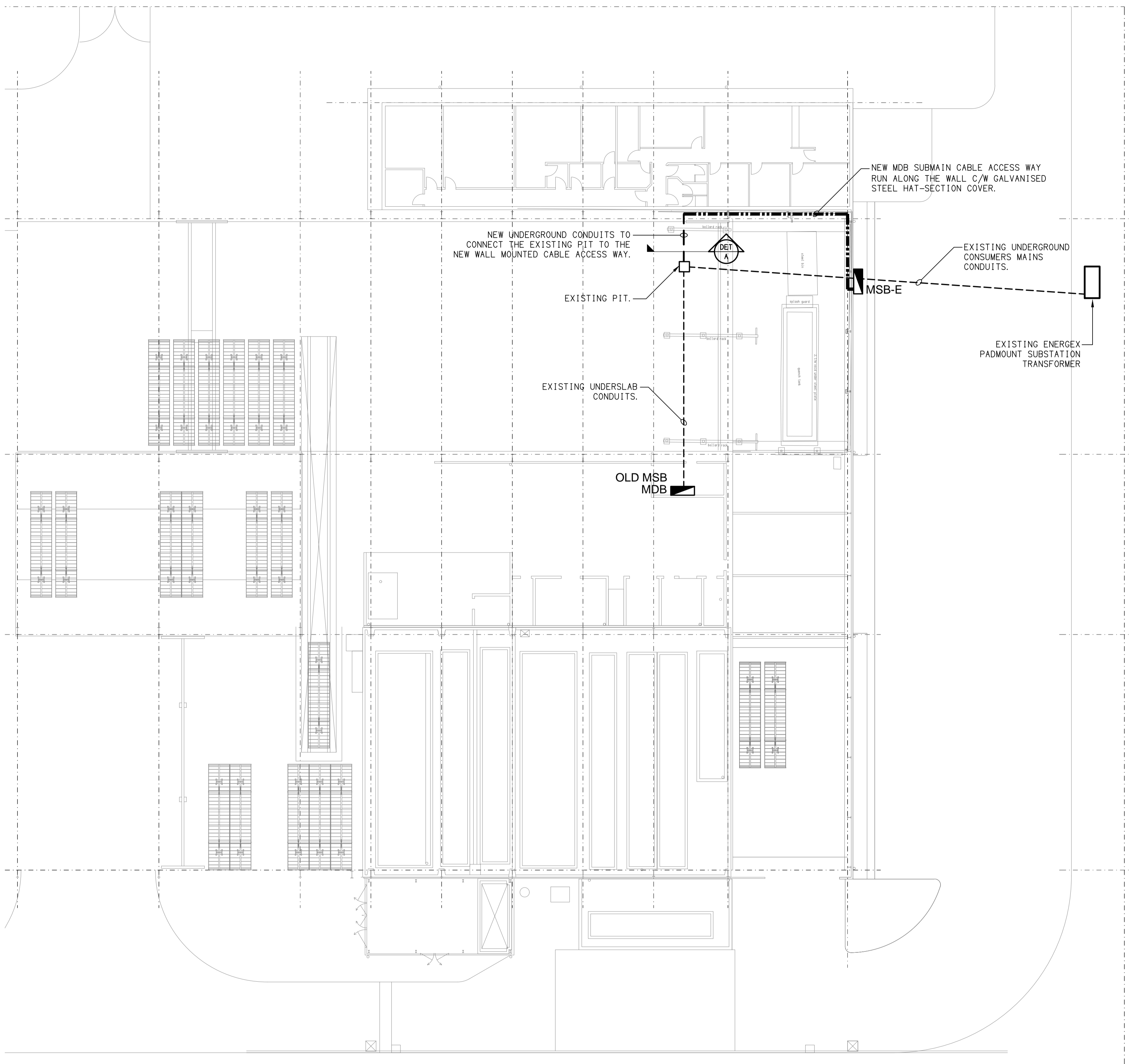
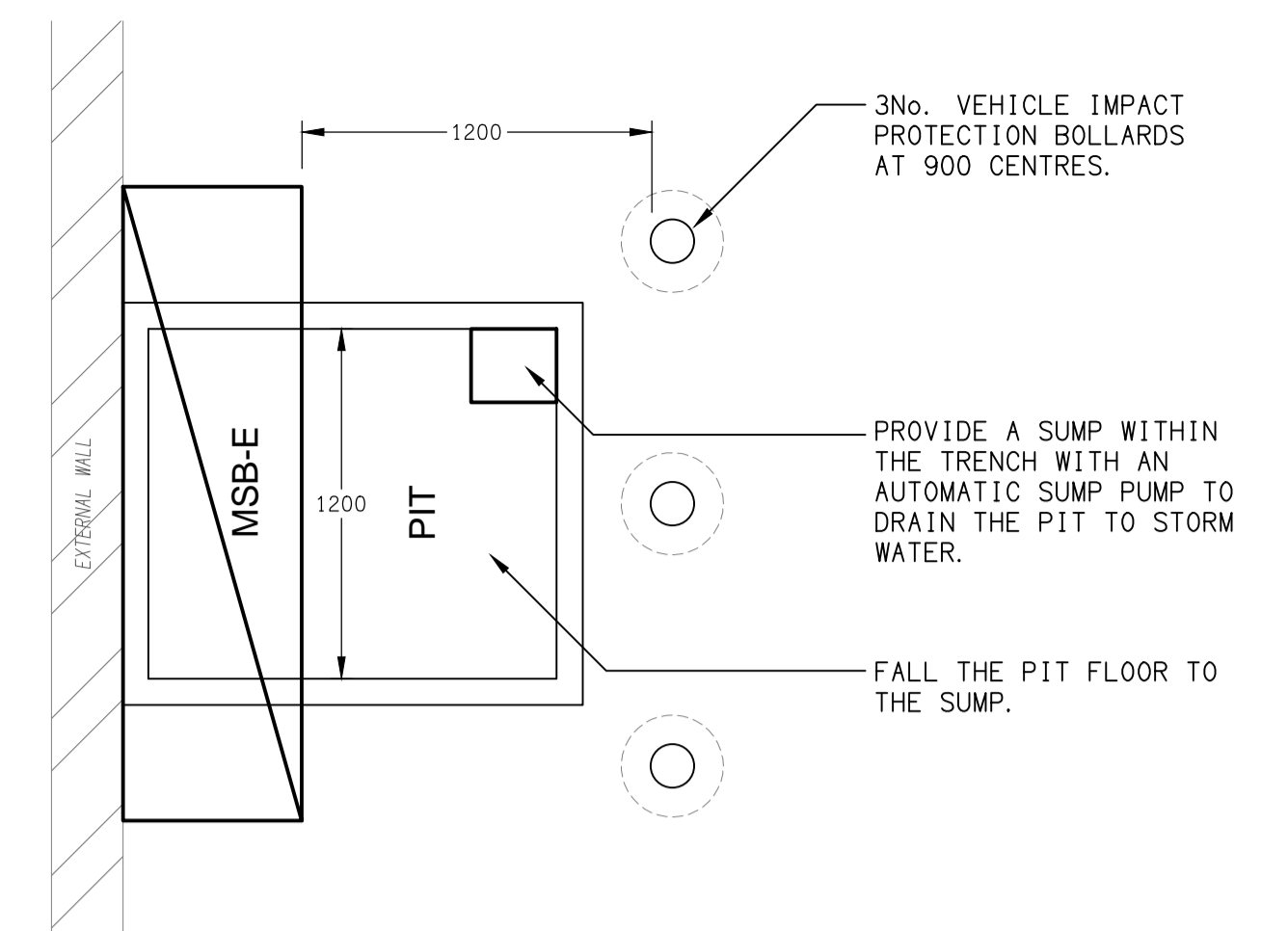


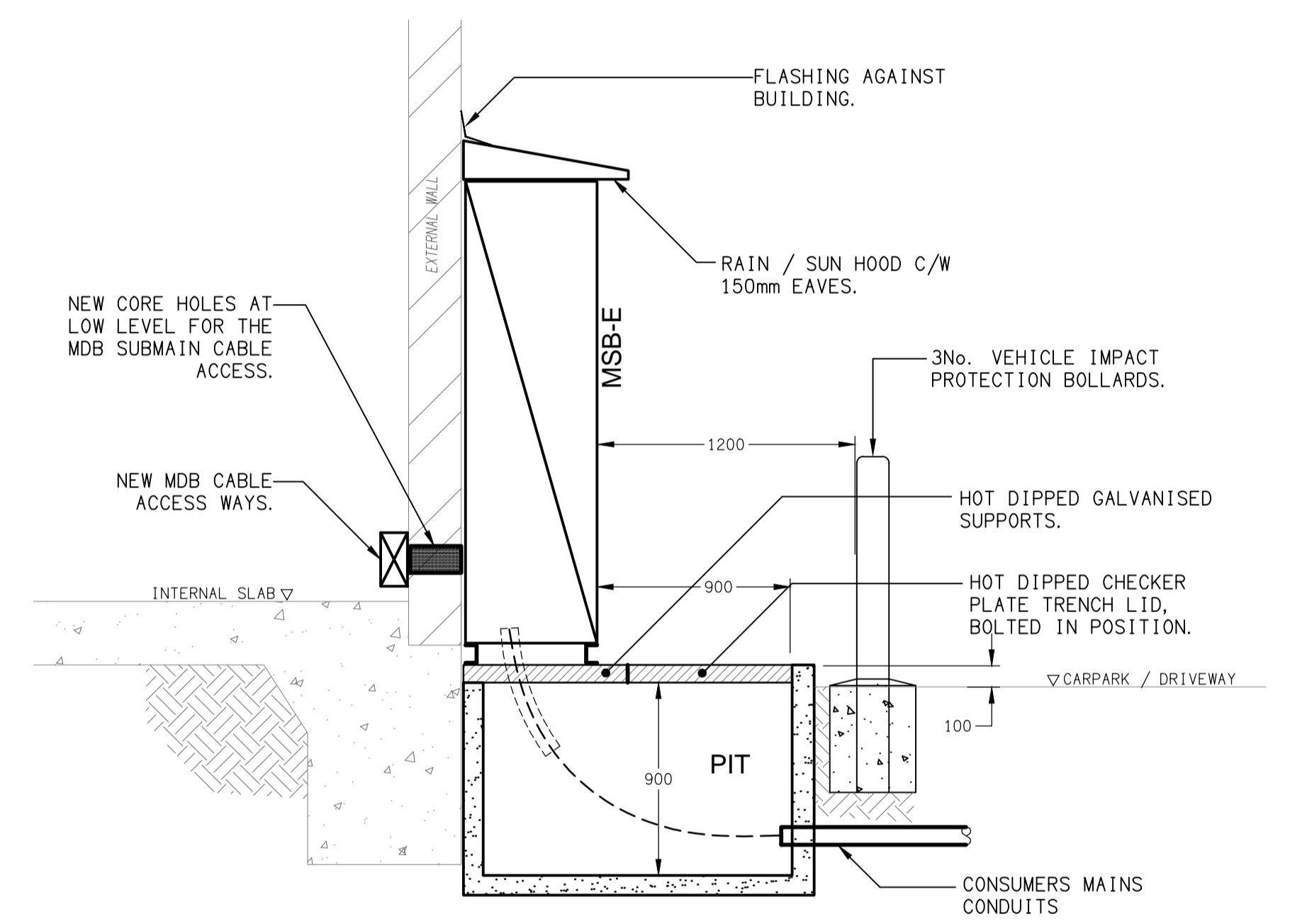
CURTIN AVENUE EAST



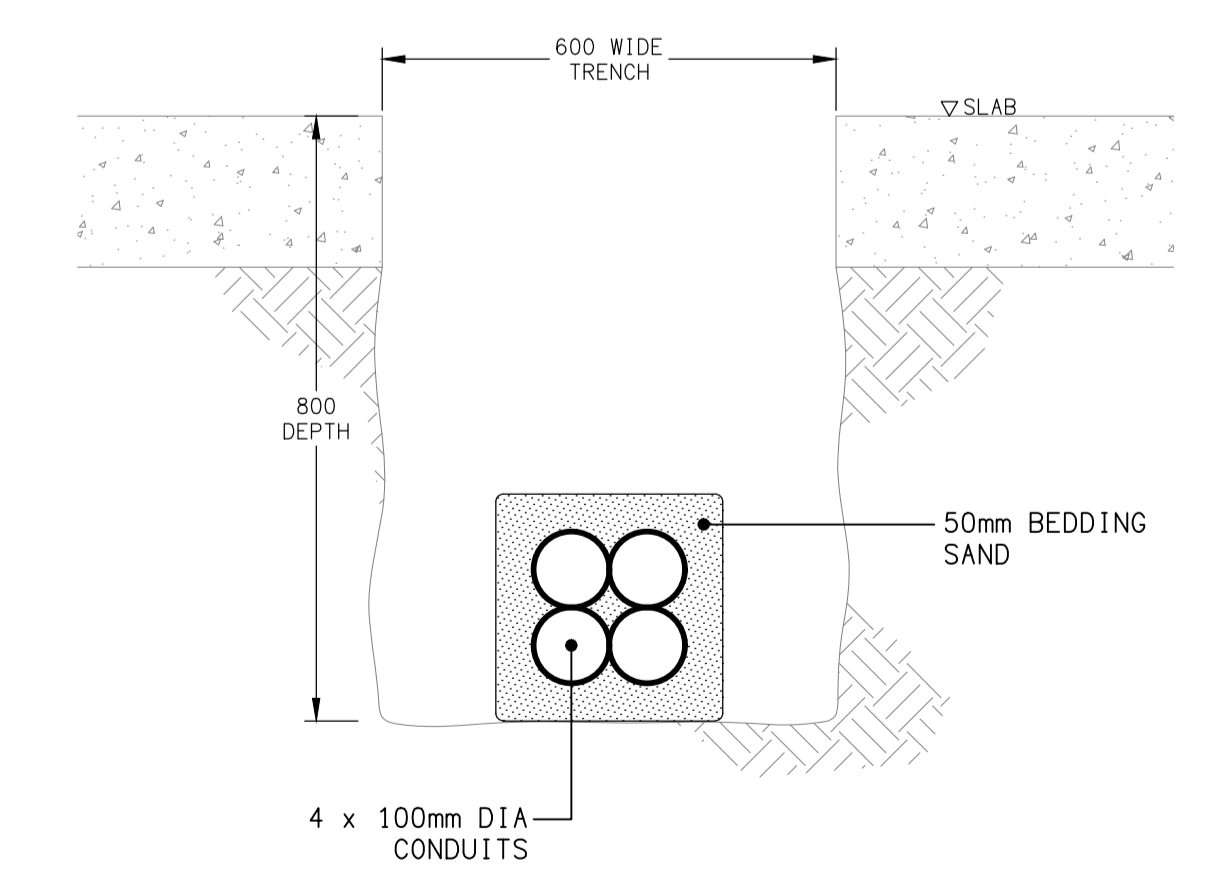
PART SITE PLAN
MSB-E & PIT ARRANGEMENTS
SCALE 1:200



PLAN VIEW
MSB-E & PIT
SCALE 1:25



SECTION VIEW
MSB-E & PIT
SCALE 1:25



DETAIL A
TRENCH SECTION VIEW
NOT TO SCALE

ELECTRICAL DESIGN GROUP BRISBANE PTY LTD
ACN 092 710 793
TRADING AS:
ELECTRICAL DESIGN GROUP

THE COPYRIGHT OF THIS DRAWING REMAINS THE PROPERTY OF THE ELECTRICAL DESIGN GROUP.
USE FIGURED DIMENSIONS IN PREFERENCE TO SCALE.
ALL DIMENSIONS TO BE VERIFIED ONSITE.

ELECTRICAL DESIGN GROUP
ELECTRICAL BUILDING SERVICES CONSULTANTS
BRISBANE GOLD COAST
P.O. Box 15, Sherwood Q.4075
Phone: (07) 3278 4375
Email: brisbane@edg.net.au
Web: www.edg.net.au

PROJECT:
661 CURTIN AVENUE EAST, PINKENBA
BRISBANE

D	APPROVAL	16/06/2026
REV.	DESCRIPTION:	DATE:
DRAWING: ELECTRICAL SERVICES PART SITE PLAN		
SCALE: 1:200 UNO	AT A1	PROJECT NO: C3712a
		DRAWING NO: E03
		REVISION: D